

**MOTOARE ASINCRONE TRIFAZICE**

Total inchise, ventilatie externa, rotor in forma de colivie de vevertita. Standard UNEL-IEC

TIP MOTOR TYPE MOTOR	kW (Pm)	CARACTERISTICI DE EXERCITIU LA PUTERE NOMINALA CHARACTERISICS AT RATED OUTPUT						CARACTERISTICI PENTRU INSERTIE DIRECTA CHARACTER WITH DIRECT-ON- LINE STARTING			Jm kg m <sup>2</sup>	GREUTA TE WEIGHT B3 kg
		Giri-1' rpm (n)	EFICIENȚA EFFICIENCY	η%	cos φ	In-A 400 V	Cs Cn	Is In	C max Cn			
TM63A	2	0.18	2760	/	59	0.68	0.65	2.6	4.6	2.8	0.00023	4.2
TM63B	2	0.25	2750	/	64	0.75	0.75	2.6	4.6	3	0.00023	4.4
TM63C	2	0.37	2775	/	80	0.66	1	2.6	4.6	3	0.00030	4.6
TM71A	2	0.37	2850	/	73	0.67	1.1	2.7	5.4	2.8	0.0004	6.2
TM71B	2	0.55	2800	/	79.5	0.86	1.2	2.6	5.2	2.7	0.00045	6.8
TM71C	2	0.75	2830	/	65	0.81	1.85	2.7	5.3	2.6	0.00057	7.2
TM80A	2	0.75	2860	/	77	0.66	2.3	2.1	4.9	2.5	0.00083	8.8
TM80B	2	1.1	2840	2	78	0.71	2.9	2.5	5.7	2.8	0.00097	9.9
TM80C	2	1.5	2880	2	84	0.74	3.2	2.8	6	3	0.0012	10.1
TM90S	2	1.5	2890	2	81	0.79	3.4	3.5	7	3.9	0.0016	12.8
TM90LA	2	2.2	2850	2	81.5	0.8	4.9	3.5	7	3.7	0.0022	14.3
TM90LB	2	3	2850	2	85	0.83	6.25	3.4	6.9	3.6	0.0027	16
TM100SA	2	3	2860	2	83	0.81	6.5	3	6.8	3.6	0.0045	17
TM100SB	2	4	2880	2	85.5	0.79	8.7	3.1	7.4	3.5	0.006	21.5
TM100SC*	2	5.5	2860	2	86	0.8	11.6	3	7	3.4	0.0075	24.5
TM112TA	2	4	2880	2	85.5	0.79	8.7	3.1	7.4	3.5	0.006	22
TM112TB	2	5.5	2880	2	89	0.84	10.8	3.1	7.3	3.5	0.0075	26.5
TM112TC*	2	7.5	2860	2	86	0.82	15.4	3.1	7.3	3.5	0.008	28
TM132TA	2	5.5	2870	2	86	0.77	12	2.6	6.4	2.8	0.016	47
TM132TB	2	7.5	2890	2	87.3	0.81	14.9	2.5	6.6	2.8	0.019	49.5
TM132TC	2	9.2	2890	2	88	0.88	17.2	3.2	6.8	3.4	0.023	57
TM132TD	2	11	2890	2	89	0.84	21.3	3.6	7	4	0.0275	63
TM132TE	2	15	2900	2	91	0.86	27.7	3	7	3.5	0.035	66
TM160TA	2	11	2860	2	88.6	0.8	22.5	3.6	7	4	0.0275	70
TM160TB	2	15	2890	2	91.2	0.88	27.2	3	7	3.5	0.035	74
TM160LPA	2	18.5	2930	2	90.2	0.84	35.5	2.3	6.8	3	0.043	87
TM160LPB	2	22	2930	2	91	0.89	40	2.4	6.8	3	0.051	102
TM180MPA	2	22	2930	2	91	0.89	40	2.4	6.8	3	0.051	103 (B5)
TM180LPB	2	30	2940	2	91.5	0.86	55	2.4	6.8	2.9	0.165	130
TM200LPA	2	30	2940	2	91.5	0.86	55	2.4	6.8	2.9	0.165	135
TM200LPB	2	37	2950	2	92	0.86	68	2.5	7.2	3	0.180	151

TIP MOTOR TYPE MOTOR	kW (Pm)	CARACTERISTICI DE EXERCITIU LA PUTERE NOMINALA CHARACTERISICS AT RATED OUTPUT						CARACTERISTICI PENTRU INSERTIE DIRECTA CHARACTER WITH DIRECT-ON- LINE STARTING			Jm kg m <sup>2</sup>	GREUTA TE WEIGHT B3 kg
		Giri-1' rpm (n)	EFICIENȚA EFFICIENCY	η%	cos φ	In-A 400 V	Cs Cn	Is In	C max Cn			
TM63A	4	0.12	1420	/	60	0.5	0.6	2.2	3.3	2.4	0.00025	4.1
TM63B	4	0.18	1400	/	63	0.56	0.75	2.5	3.2	2.7	0.00026	4.3
TM63C	4	0.25	1390	/	59	0.59	1.04	2.5	3.1	2.7	0.0004	5
TM71A	4	0.25	1430	/	74	0.59	0.85	2	3.8	2.1	0.0005	5.7
TM71B	4	0.37	1410	/	76	0.72	1	2	4	2.1	0.0006	6.6
TM71C	4	0.55	1390	/	73.5	0.64	1.7	2	4.2	2.1	0.0007	7.2
TM80A	4	0.55	1400	/	61	0.77	1.7	2.5	3.7	2.6	0.0013	9
TM80B	4	0.75	1410	/	78.5	0.69	2	2.5	4.7	2.6	0.0016	9.9
TM80C	4	1.1	1390	2	79	0.72	2.8	2.5	4.9	2.6	0.0019	10.8
TM90S	4	1.1	1410	2	76.5	0.79	2.65	2.6	5	2.7	0.0033	13.7
TM90LA	4	1.5	1420	2	78.8	0.79	3.5	2.6	5.5	2.8	0.004	15.3
TM90LB	4	1.84	1400	2	80	0.8	4.15	2.6	5.5	2.8	0.0048	16.5
TM100SA	4	2.2	1420	2	82	0.76	5.2	2.4	5.4	2.6	0.0074	17.5
TM100SB	4	3	1410	2	83.5	0.76	6.9	2.3	5.9	2.5	0.0098	20.5
TM112T	4	4	1420	2	84	0.77	8.7	2.5	5.9	2.5	0.013	27
TM112MB	4	5.5	1410	2	84.3	0.8	12.1	2.5	6	2.8	0.0122	30.5
TM132TA	4	5.5	1430	2	87	0.82	11.2	2.5	6.2	2.9	0.0238	50
TM132TB	4	7.5	1430	2	87.5	0.8	15.6	2.5	6.2	3.1	0.03	56
TM132TC	4	9.2	1440	2	88	0.75	20.3	2.5	6.2	2.7	0.0338	63
TM160TA	4	11	1440	2	89	0.82	22	2.5	6.3	2.6	0.04	72
TM160MPA	4	11	1450	2	90.8	0.8	22	2	5.2	2.1	0.0625	81
TM160LPA	4	15	1450	2	91	0.79	31	2.2	5.8	2.4	0.075	95
TM160LPB	4	18.5	1450	2	91	0.82	36	2.3	6.2	2.5	0.09	112
TM180MPA	4	18.5	1450	2	91	0.82	36	2.3	6.2	2.5	0.09	113 (B5)
TM180LPA	4	22	1465	2	90.7	0.84	42	2.4	6.3	2.5	0.11	130
TM180LPB	4	30	1470	2	91	0.83	58	2.4	6.6	2.8	0.18	148
TM200LPA	4	30	1470	2	91	0.83	58	2.4	6.6	2.8	0.18	150

# S.C. Proconsil Grup SRL

TIP MOTOR TYPE MOTOR	kW (Pm)	CARACTERISTICI DE EXERCITIU LA PUTERE NOMINALA CHARACTERISTICS AT RATED OUTPUT				CARACTERISTICI PENTRU INSERTIE DIRECTA CHARACTER WITH DIRECT-ON-LINE STARTING			Jm kKg m <sup>2</sup>	GREUTATE WEIGHT B3 kg	
		Giri-1' rpm (n)	$\eta\%$	$\cos \varphi$	In-A 400 V	Cs Cn	Is In	C max Cn			
TM63A	6	0.09	900	39	0.45	0.75	2	3.2	2.2	0.00027	4.2
TM63B	6	0.12	850	42	0.56	0.77	2.2	3.6	2.4	0.0003	4.4
TM71A	6	0.18	930	50	0.52	1	1.7	3	1.8	0.0005	6
TM71B	6	0.25	910	55	0.61	1.08	2	3.2	2.1	0.00055	6.7
TM80A	6	0.37	950	62.5	0.62	1.4	1.6	3.2	1.9	0.0024	9
TM80B	6	0.55	930	71	0.57	2	2.2	3.8	2.3	0.00275	9.7
TM90S	6	0.75	910	69	0.73	2.15	2.2	3.8	2.3	0.00375	13.4
TM90L	6	1.1	930	72.5	0.71	3.12	2.2	3.9	2.3	0.005	16.7
<sup>1)</sup> TM100SA	6	1.5	930	78	0.612	4.5	2	4.3	2.4	0.015	20.5
<sup>1)</sup> TM112T	6	2.2	930	79	0.61	6.8	2	4.3	2.4	0.015	25
<sup>1)</sup> TM132TA	6	3	950	81	0.77	7	2	4.3	2.4	0.03	51.5
<sup>1)</sup> TM132TB	6	4	960	83.5	0.74	9.36	2	4.5	2.2	0.038	59
<sup>1)</sup> TM132TC	6	5.5	950	83	0.77	12.5	2	4.8	2.2	0.046	63
<sup>1)</sup> TM132TTD	6	7.5	950	85	0.78	16.35	2	4.8	2.3	0.053	73
<sup>1)</sup> TM160TA	6	7.5	950	85	0.78	16.35	2	4.8	2.3	0.053	75
<sup>1)</sup> TM160MPA	6	7.5	930	87	0.76	16.5	2	5	2.3	0.087	85
<sup>1)</sup> TM160LPA	6	11	930	83	0.77	25	2.3	5.5	2.5	0.11	103
<sup>1)</sup> TM160LPB	6	15	950	88	0.79	31.5	2.3	5.2	2.4	0.13	128
<sup>1) 2)</sup> TM180MPA	6	15	950	88	0.79	31.5	2.3	5.2	2.4	0.13	130 (B5)
<sup>1)</sup> TM200LA	6	18.5	960	88	0.84	36	2.1	5.2	2.3	0.17	139
<sup>1)</sup> TM200LB	6	22	970	89	0.86	41	2.4	5.6	2.4	0.22	148
TM71B	8	0.12	690	48	0.52	0.7	1.4	2	1.5	0.0006	6
TM80A	8	0.18	710	50.5	0.43	1.2	1.5	2.5	1.7	0.0024	9
TM80B	8	0.25	700	56	0.51	1.25	1.5	2.5	1.7	0.00275	10.5
TM90S	8	0.37	680	59.5	0.7	1.3	2	3.5	2.3	0.00375	13.7
TM90LA	8	0.55	710	66	0.58	2.1	2	3.6	2.1	0.005	16.5
TM90LB	8	0.66	700	68	0.64	2.3	2	3.5	2.1	0.0052	16.7
<sup>1)</sup> TM100SA	8	0.75	700	70	0.48	3.2	1.9	3.9	2.3	0.0098	24
<sup>1)</sup> TM100SB	8	1.1	700	71	0.52	4.2	2	3.9	2.3	0.0125	26.5
<sup>1)</sup> TM112M	8	1.5	700	75.5	0.68	4.3	2	4	2.4	0.0168	29.5
<sup>1)</sup> TM132TA	8	2.2	720	76.5	0.57	7.35	1.8	4.2	2.1	0.038	52
<sup>1)</sup> TM132TB	8	3	710	77	0.61	9.5	1.8	4.2	2	0.046	61
<sup>1)</sup> TM132TC	8	4	720	81	0.64	11.2	1.8	4.3	2	0.053	70
<sup>1)</sup> TM132TTD	8	5.5	710	81	0.62	15.9	1.8	4.3	2	0.058	79
<sup>1)</sup> TM160TA	8	4	720	81	0.64	11.2	1.8	4.3	2	0.053	75
<sup>1)</sup> TM160TB	8	5.5	710	81	0.62	15.9	1.8	4.3	2	0.058	81
<sup>1)</sup> TM160MPA	8	5.5	710	81	0.63	15.5	1.9	4.3	2.1	0.08	88
<sup>1)</sup> TM160LPA	8	7.5	710	82	0.71	18.5	2	4.3	2.1	0.089	105
<sup>1)</sup> TM160LPB	8	11	715	87.5	0.72	25	1.9	4.2	2	0.13	129
<sup>1)</sup> TM180LPA	8	11	720	86.7	0.74	25	2	4.5	2.2	0.17	135
<sup>1)</sup> TM200LPA	8	15	725	87.1	0.74	34	2.1	5	2.3	0.22	148

# S.C. Proconsil Grup SRL

1) = model cu picioare fixate prin suruburi, se pot roti la 90°. 2) = model B5. Simboluri: C max = cuplu maxim Cn = cuplu nominal Cs = cuplu de pornire In = curent nominal Is = curent de pornire Jm = moment de inerție.

TIP MOTOR TYPE MOTOR	kW (Pm)	CARACTERISTICI DE EXERCITIU LA PUTERE NOMINALA CHARACTERISTICS AT RATED OUTPUT				CARACTERISTICI PENTRU INSERTIE DIRECTA CHARACTER WITH DIRECT-ON-LINE STARTING			Jm kg m <sup>2</sup>	GREUTATE WEIGHT B3 kg	
		Giri-1' rpm (n)	η%	cos φ	In-A 400 V	Cs Cn	Is In	C max Cn			
TM63B	4/2	0.18/0.25	1400/2840	48.5/64	0.56/0.63	1/0.94	1.6/1.3	2.8/3.2	1.8/1.5	0.0003	4.2
TM71B	4/2	0.3/0.45	1450/2890	60/59	0.53/0.59	1.4/1.9	1.7/1.4	3.2/4.1	1.9/1.6	0.0006	7
TM80A	4/2	0.6/0.75	1420/2810	61.5/50	0.8/0.76	1.8/2.8	1.8/1.8	4.3/4.3	2/2	0.0016	10
TM80B	4/2	0.75/1.1	1440/2840	73.5/66	0.69/0.66	2.15/3.7	1.8/1.8	4.3/4.6	2/2	0.0022	11
TM90S	4/2	1/1.4	1410/2810	72.5/66	0.78/0.84	2.6/3.7	1.8/1.8	4.8/5	2/2	0.0033	13
TM90L	4/2	1.5/2.2	1420/2800	75/72	0.78/0.83	3.75/5.5	1.8/2	4.5/5.3	2/2.2	0.004	17
1) TM100SA	4/2	1.84/2.5	1430/2880	82/78	0.77/0.72	4/5.4	2.2/2.2	5.2/5.5	2/2.2	0.0074	17.5
1) TM100SB	4/2	2.2/3	1430/2890	82/78	0.78/0.75	5/7.45	1.8/2	5/5.5	2/2.2	0.0098	20.5
1) TM112T	4/2	3/4	1430/2880	83/80	0.76/0.76	6.7/9.4	2.1/2.4	4.5/5	2.2/2.4	0.013	27
1) TM132TA	4/2	4.4/5.5	1440/2900	81/83	0.7/0.88	11.2/10.9	2.4/2.2	7/7	2.6/2.4	0.0245	51
1) TM132TB	4/2	6.1/8	1450/2900	80/81.5	0.64/0.87	17.1/16.1	2.8/2.5	7/7.5	3/2.7	0.04	59
1) TM132TC	4/2	7.4/9.2	1450/2910	87/85	0.76/0.74	16.2/21.2	2.3/2	7/7.5	2.5/2.2	0.065	68
1) TM132TTD	4/2	9/11	1440/2900	86/83	0.79/0.77	19.1/24.7	2.3/2	7/7.5	2.5/2.2	0.065	71
1) TM160T	4/2	9/11	1440/2900	86/83	0.79/0.77	19.1/24.7	2.3/2	7/7.5	2.5/2.2	0.065	73
1) TM160LPA	4/2	12/15	1460/2930	92.5/89.5	0.84/0.87	22.5/28.2	2.3/2	6/6	2.5/2.2	0.075	98
1) TM160LPB	4/2	15/18.5	1460/2920	92/88	0.86/0.87	28/35	2.3/2	5.5/5.5	2.4/2.1	0.09	114
1) 2) TM180MPA	4/2	15/18.5	1460/2920	92/88	0.86/0.87	28/35	2.3/2	5.5/5.5	2.4/2.1	0.09	115 (B5)
TM71B	8/4	0.15/0.38	680/1370	41/67.5	0.62/0.84	0.87/0.72	1.4/1.2	2.2/3.4	1.6/1.4	0.0006	7
TM80A	8/4	0.22/0.37	680/1400	43/68	0.6/0.8	1.25/1	1.5/1.2	2.2/2.7	1.7/1.4	0.0024	9
TM80B	8/4	0.3/0.55	700/1400	54.5/80	0.51/0.81	1.6/1.2	1.8/1.6	2.3/3.5	2/1.8	0.00275	10
TM90S	8/4	0.42/0.8	690/1380	56/72	0.62/0.89	1.75/1.82	2.2/1.6	3.4/4.6	2.4/1.8	0.00375	14
TM90L	8/4	0.59/1.1	700/1400	62/76	0.54/0.86	2.6/2.45	2.6/1.9	3.7/5.1	2.8/2.1	0.005	17
1) TM100S	8/4	0.8/1.6	715/1430	65/82	0.85/0.82	3.3/2.8	2.1/2	3.8/4.6	2/1.8	0.00118	24
1) TM112T	8/4	1/2	710/1420	66/80	0.54/0.86	4/3.8	1.7/1.9	4/5	2/1.9	0.013	27
1) TM112MB	8/4	1.5/3	720/1420	69/84	0.49/0.88	6.4/5.9	2/1.6	4.1/5.3	2.2/1.8	0.018	34
1) TM132TA	8/4	2.06/3.7	720/1420	72/81.5	0.59/0.88	7/7.55	2.5/2.3	4.8/6.5	2.7/2.5	0.032	57
1) TM132TB	8/4	2.06/4.7	700/1460	72.5/85.5	0.64/0.73	6.6/11.6	2.3/2.6	4.7/6.3	2.4/2.6	0.035	59
1) TM132TC	8/4	1.6/4.6	700/1450	74/83	0.64/0.8	4.9/10.1	2.3/2.6	4.7/6.3	2.4/2.6	0.035	59
1) TM132TD	8/4	2.4/4.4	720/1400	72/83	0.56/0.88	8.7/8.8	2.6/2.4	4.9/6.6	2.8/2.6	0.045	61
1) TM132TE	8/4	3/5.2	720/1430	76.5/83.5	0.61/0.88	9.4/10	2.6/2.5	5/7	2.8/2.7	0.087	69
1) TM132TF	8/4	3/6.25	680/1450	76/87	0.69/0.72	9/15.5	2.6/2.6	5.1/7.2	2.8/2.9	0.098	74
1) TM132TG	8/4	2.2/5.9	710/1460	75/86	0.67/0.8	6.3/12.5	2.4/2.4	4.9/7	2.5/2.5	0.098	74
1) TM132TH	8/4	3.7/5.9	720/1420	78.5/86	0.63/0.9	10.9/11.1	2.6/2.5	5.1/7	2.8/2.7	0.11	75
1) TM132TTI	8/4	3.7/7.75	700/1460	77/86	0.7/0.69	10.5/20	2.6/2.5	5.1/7	2.8/2.7	0.14	78
1) TM132TTL	8/4	4.5/7.8	720/1440	79/84	0.63/0.84	13/16	2.6/2.5	5/7	2.8/2.7	0.16	80
1) TM160TA	8/4	3.7/5.9	720/1420	78.5/86	0.63/0.9	10.9/11.1	2.6/2.5	5.1/7	2.8/2.7	0.11	76
1) TM160TB	8/4	4.5/7.8	720/1440	79/84	0.63/0.84	13/16	2.6/2.5	5/7	2.8/2.7	0.16	81
1) TM160TF	8/4	3.7/7.75	700/1460	77/86	0.7/0.69	10.5/20	2.6/2.5	5.1/7	2.8/2.7	0.14	80
1) TM160LPA	8/4	6.5/11	720/1440	82/83	0.65/0.88	17.5/22	2.1/2.2	4.8/6.5	2.2/2.3	0.19	104
1) TM160LPB	8/4	9/15	710/1425	77/81	0.64/0.86	26.7/28.5	2.1/2.2	4.9/6.6	2.2/2.3	0.21	130
1) 2) TM180MPA	8/4	9/15	710/1425	77/81	0.64/0.86	26.7/28.5	2.1/2.2	4.9/6.6	2.2/2.3	0.21	131 (B5)

# S.C. Proconsil Grup SRL

	TIP MOTOR TYPE MOTOR	kW (Pm)	CARACTERISTICI DE EXERCITIU LA PUTERE NOMINALA CHARACTERISTICS AT RATED OUTPUT				CARACTERISTICI PENTRU INSERTIE DIRECTA CHARACTER WITH DIRECT-ON-LINE STARTING			Jm kg m <sup>2</sup>	GREUTATE WEIGHT B3 kg		
			Giri-1' rpm (n)	η%	cos φ	In-A 400 V	Cs Cn	Is In	C max Cn				
6/4 poli - poles	TM71B	6/4	0.22/0.37	920/1380	56/62	0.59/0.74	1/1.15	1.1/1.5	3.1/3.6	1.3/1.7	0.0006	7	
	TM80B	6/4	0.48/0.66	940/1430	62/63.5	0.58/0.64	1.96/2.35	1.9/1.7	3.1/3.5	2.1/1.9	0.0027	10	
	TM90S	6/4	0.6/0.95	930/1410	63.5/71	0.68/0.8	2/2.43	1.7/1.5	3.1/3.7	1.9/1.7	0.00375	13	
	TM90LA	6/4	0.95/1.3	910/1400	70/76	0.73/0.8	2.7/3.1	1.8/1.9	3.4/4.5	2/2.1	0.005	16.5	
	TM90LB	6/4	1.1/1.5	870/1380	70.5/75	0.76/0.84	3/3.5	1.8/1.9	3.4/4.5	2/2.1	0.005	16.5	
	1) TM100SA	6/4	1.1/1.5	920/1430	73/80	0.62/0.75	3.5/3.7	1.8/1.9	3.8/4.3	2/2.1	0.0074	18.5	
	1) TM100SB	6/4	1.5/2.2	920/1420	73/79.5	0.62/0.76	4.4/5.2	1.9/2	3.5/4.5	2.1/2.2	0.009	22.5	
	1) TM112T	6/4	1.84/3.1	930/1420	83/79	0.75/0.57	5.7/5.8	1.9/1.8	4.1/5.1	2.1/2	0.0013	29.5	
	1) TM132TA	6/4	2.57/4	950/1450	76/80.5	0.56/0.72	8.7/10	1.7/1.5	4.8/6.2	1.9/1.7	0.0238	49	
	1) TM132TB	6/4	3.3/4.4	940/1440	78/81	0.64/0.75	9.5/10.5	1.7/1.5	4.8/6.2	1.9/1.7	0.0238	49	
	1) TM132TC	6/4	3.7/5.9	950/1440	76.5/79	0.62/0.78	11.3/13.9	1.8/1.7	4.8/6.5	2/1.9	0.03	52	
	1) TM132TD	6/4	4.8/7.5	950/1430	82.5/83.5	0.69/0.84	12.2/15.5	2/2.2	5.5/6.5	2.2/2.4	0.038	59	
	1) TM132TTE	6/4	5.9/9	950/1430	82/84	0.69/0.83	15.5/18.4	1.7/1.9	6/6.2	1.9/2.1	0.045	73	
	1) TM160T	6/4	5.9/9	950/1430	82/84	0.69/0.83	15.5/18.4	1.7/1.9	6/6.2	1.9/2.1	0.045	75	
	1000/1500 giri-1' - rpm	TM71B	4/2	0.09/0.45	1450/2890	42/59	0.56/0.59	0.55/1.9	2/1.4	3.4/4.1	2.6/1.6	0.0006	7
TM80A		4/2	0.13/0.75	1420/2810	43/50	0.58/0.76	0.75/2.8	1.9/1.8	3.6/4.3	2.6/2	0.0016	10	
TM80B		4/2	0.17/1.1	1440/2840	45/66	0.58/0.66	0.94/3.7	2.2/1.8	4.4/4.6	3.1/2	0.0022	11	
TM90S		4/2	0.25/1.4	1410/2810	45/66	0.6/0.84	1.34/3.7	2/1.8	4.8/5	2.7/2	0.0033	13	
TM90L		4/2	0.35/2.2	1420/2800	48/72	0.62/0.83	1.55/5.5	2.2/2	5.7/5.3	2.7/2.2	0.004	17	
1) TM100SA		4/2	0.45/2.5	1430/2880	55/78	0.62/0.72	1.9/5.4	2.2/2.2	5/5.5	2.6/2.2	0.0074	17.5	
1) TM100SB		4/2	0.65/3	1430/2890	58/78	0.62/0.75	2.6/7.45	2.3/2	5.9/5.5	3.1/2.2	0.0098	20.5	
1) TM112T		4/2	0.95/4	1430/2880	60/80	0.62/0.76	3.7/9.4	2.2/2.4	7.3/5	3.1/2.4	0.013	27	
1) TM132TA		4/2	1.1/5.5	1440/2900	64/83	0.65/0.88	3.8/10.9	2.2/2.2	8/7	3/2.4	0.0245	51	
1) TM132TB		4/2	1.5/8	1450/2900	65/81.5	0.65/0.87	5.1/16.1	2.3/2.5	8.5/7.5	3/2.7	0.04	59	
1) TM132TC		4/2	1.8/9.2	1450/2910	66/85	0.65/0.74	6.1/21.2	2.2/2	8.8/7.5	3.1/2.2	0.065	68	
1) TM132TTD		4/2	2.3/11	1440/2900	66/83	0.68/0.77	7.4/24.7	1.8/2	7.2/7.5	2.6/2.2	0.065	71	
1) TM160T		4/2	2.3/11	1440/2900	66/83	0.68/0.77	7.4/24.7	1.8/2	7.2/7.5	2.6/2.2	0.065	73	
1500/3000 giri-1' - rpm		1) TM160LPA	4/2	3/15	1460/2930	67/89.5	0.68/0.87	9.5/28.2	2/2	8/6	2.9/2.2	0.075	98
		1) TM160LPB	4/2	4/18.5	1460/2920	67/88	0.68/0.87	12.7/35	2/2	8/5.5	2.9/2.1	0.09	114
	2) TM180MPA	4/2	4/18.5	1460/2920	67/88	0.68/0.87	12.7/35	2/2	8/5.5	3/2.1	0.09	115 (B5)	
	1) TM180LPA	4/2	4.6/22	1460/2900	70/86	0.7/0.87	13.6/42	2.5/2	8/6.5	2.8/2.3	0.11	130	
	1) TM200LPB	4/2	6.5/30	1465/2920	72/88	0.72/0.88	2.3/2.2	8.7/7	8.7/7.0	2.5/2.6	0.19	150	

$$C_n \text{ (Nm)} = \frac{\text{kW}}{\text{Giri-1' rpm}} \times 9550$$

La cerere: Se executa motoare cu 2 bobinaje separate de tip: 6/4 poli – 6/2 poli – 8/6 poli – 8/2 poli cu propriile certificate de verificari.

# S.C. Proconsil Grup SRL

TIP MOTOR TYPE MOTOR	kW (Pm)	CARACTERISTICI DE EXERCITIU LA PUTERE NOMINALA CHARACTERISTICS AT RATED OUTPUT				CARACTERISTICI PENTRU INSERTIE DIRECTA CHARACTER WITH DIRECT-ON-LINE STARTING			Jm kg m <sup>2</sup>	GREUTATE WEIGHT B3 kg	
		Giri-1' rpm (n)	η%	cos φ	In-A 400 V	Cs Cn	Is In	C max Cn			
<b>TM90S</b>	<b>8/4</b>	0.25/1.2	690/1380	53/73	0.62/0.81	1.1/3.2	1.6/2.0	2.5/4.5	1.5/2.0	0.00375	14
<b>TM90L</b>	<b>8/4</b>	0.3/1.5	700/1400	55/76	0.65/0.80	1.2/3.6	1.8/2.2	2.7/4.8	1.6/2.2	0.005	17
<sup>1)</sup> <b>TM100S</b>	<b>8/4</b>	0.45/2	715/1430	59/73	0.59/0.83	1.9/4.8	1.4/1.8	2.8/4.4	1.6/2.0	0.00118	24
<sup>1)</sup> <b>TM100SB2</b>	<b>8/4</b>	0.6/2.7	710/1410	62/77	0.66/0.82	1.3/6.4	1.6/2.0	2.9/5.1	1.8/2.2	0.0012	25.5
<sup>1)</sup> <b>TM112T</b>	<b>8/4</b>	0.75/3	710/1420	65/80	0.6/0.8	2.8/7.2	1.8/2.2	3.0/5.9	1.9/2.5	0.013	27
<sup>1)</sup> <b>TM132TB</b>	<b>8/4</b>	1/5	725/1460	68/80	0.51/0.81	4.1/11.6	1.4/1.9	3.8/5.8	1.6/2.6	0.025	59
<sup>1)</sup> <b>TM132TC</b>	<b>8/4</b>	1.3/6.2	730/1460	71/82	0.5/0.8	5.3/14	1.6/2.2	4.2/6.8	1.7/2.8	0.0300	61
<sup>1)</sup> <b>TM132TD</b>	<b>8/4</b>	1.5/7.5	730/1460	72.7/83.5	0.51/0.8	1.5/2.3	4.4/7.1	4.4/7.1	1.8/3.5	0.0338	69
<sup>1)</sup> <b>TM160TF</b>	<b>8/4</b>	2.2/10	730/1460	75/84.6	0.53/0.79	8/21	1.8/2.2	3.2/5.6	2.2/2.5	0.040	80
<sup>1)</sup> <b>TM160LPA</b>	<b>8/4</b>	2.8/13	730/1465	76.5/86	0.52/0.79	10/27.5	2.2/2.3	3.4/6.0	2.3/2.6	0.075	95
<sup>1)</sup> <b>TM160LPB</b>	<b>8/4</b>	3.5/16	730/1465	77.5/86.5	0.53/0.8	12.3/33	1.9/2.4	3.5/6.0	2.5/2.6	0.090	112
<sup>2)</sup> <b>TM180MPA</b>	<b>8/4</b>	3.5/16	730/1465	77.5/86.5	0.53/0.8	12.3/33	1.9/2.4	3.5/6.0	2.5/2.6	0.090	113 (B5)
<sup>1)</sup> <b>TM180LPA</b>	<b>8/4</b>	4.5/18	735/1465	78.2/89.7	0.52/0.82	14.6/35	1.8/2.1	3.7/6.5	2.0/2.5	0.11	130
<sup>1)</sup> <b>TM200LPA</b>	<b>8/4</b>	6.2/25	735/1465	83/88.5	0.57/0.83	18.9/49	1.9/2	4/6.3	2.1/2.4	0.21	150
<b>TM80B</b>	<b>6/4</b>	0.1/0.66	940/1430	41/63.5	0.56/0.64	1.1/2.35	1.9/1.7	2.9/3.5	2.9/1.9	0.0027	10
<b>TM90S</b>	<b>6/4</b>	0.25/0.95	930/1410	43/71	0.62/0.8	1.4/2.43	2.2/1.5	4.6/3.7	1.9/1.7	0.00375	13
<b>TM90LB</b>	<b>6/4</b>	0.45/1.5	870/1380	53/75	0.64/0.84	1.9/3.5	2.4/1.9	4.7/4.5	2.2/2.1	0.005	16.5
<sup>1)</sup> <b>TM100SB</b>	<b>6/4</b>	0.7/2.2	920/1420	59/79.5	0.66/0.76	2.6/5.2	1.5/2	2.3/4.5	1.9/2.2	0.009	22.5
<sup>1)</sup> <b>TM112T</b>	<b>6/4</b>	1/3.1	930/1420	63/79	0.66/0.57	3.5/5.8	1.6/1.8	3.4/5.1	2/2	0.0013	29.5
<sup>1)</sup> <b>TM132TB</b>	<b>6/4</b>	1.4/4.4	940/1440	67/81	0.75/0.75	4/10.5	1.6/1.5	4.6/6.2	2.1/1.7	0.0238	49
<sup>1)</sup> <b>TM132TC</b>	<b>6/4</b>	2/5.9	950/1440	72.6/79	0.75/0.78	5.3/13.9	1.8/1.7	5.2/6.5	2.1/1.9	0.03	52
<sup>1)</sup> <b>TM132TTE</b>	<b>6/4</b>	2.4/9	950/1430	73.1/84	0.79/0.83	9.7/18.4	1.8/1.9	4.6/6.2	1.8/2.1	0.045	73
<sup>1)</sup> <b>TM160T</b>	<b>6/4</b>	2.4/9	950/1430	73.1/84	0.79/0.83	9.7/18.4	1.8/1.9	4.6/6.2	1.8/2.1	0.045	75

1) = model cu picioare fixate prin suruburi, se pot roti la 90°.  
2) = model B5.

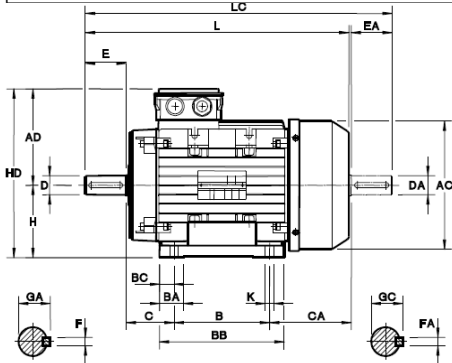
1) = model with feet for motor fixing by screws, feet can rotate each 90°.  
2) = model B5.

Simboluri: C max = cuplu maxim  
Cn = cuplu nominal  
Cs = cuplu de pornire  
In = curent nominal  
Is = curent de pornire  
Jm = moment de inertie

Symbols: C max = pull out torque  
Cn = rated torque  
Cs = locked rotor torque  
In = rated current  
Is = locked rotor current  
Jm = moment of inertia

**MOTOARE ASINCRONE TRIFAZICE DIMENSIUNI : forma B3 (B6-B7-B8-V5-V6)**

GABARIT SIZE	A	AA	AB	AC ø	AD	B	BA	BB	BC	C	CA	H	HA	HD	K	K1	L	LC	D DA ø	E EA	F FA	GA GC
TM63	100	22	120	126	93	80	22	101	10.5	40	70	63	7	156	7	11	211	236	11j6	23	4	12.5
TM71	112	26	135	140	102	90	26	114	12	45	81	71	8	173	7	12	244	276	14j6	30	5	16
TM80	125	30	154	159	118	100	30	124	12	50	92	80	12	198	8.5	13	279	322	19j6	40	6	21.5
TM90S	140	30	170	177	120	100	32	130	15	56	104	90	13	210	10	13	306	360	24j6	50	8	27
TM90L	140	30	170	177	120	125	32	155	15	56	103	90	13	210	10	13	330	384	24j6	50	8	27
<sup>1)</sup> TM100S	160	37	192	193	142	140	42	183	14	63	129	100	12	242	29.5	12	370	447	28j6	60	8	31
<sup>1)</sup> TM112T	190	51	220	193	142	140	42	183	21	70	122	112	15	254	29.5	12	387	452	28j6	60	8	31
<sup>1)</sup> TM112M	190	50	229	205	150	140	40	183	27	70	117	112	15	262	26.5	13	382	447	28j6	60	8	31
<sup>1)</sup> TM132T	216	44	252	253	185	140/178	46	226	24	89	166/128	132	15	317	12.5	19	469	/	38k6	80	10	41
<sup>1)</sup> TM132TT	216	44	252	253	185	140/178	46	226	24	89	166/128	132	15	317	12.5	19	501	/	38k6	80	10	41
<sup>1)</sup> TM160T	254	50	294	253	185	210	58	258	24	108	130	160	16	345	14	19	558	/	42k6	110	12	45
<sup>1)</sup> <sup>2)</sup> TM160M	254	72	318	311	246	210	52	264	27	110	181	160	23	400	15	36	608	/	42k6	110	12	45
<sup>1)</sup> <sup>2)</sup> TM160L	254	72	318	311	246	254	52	308	27	110	181	160	23	400	15	36	650	/	42k6	110	12	45
<sup>1)</sup> TM180L	264	74	344	348	260	279	48	330	25	121	199	180	25	440	15	40	710	/	48k6	110	14	51.5
<sup>1)</sup> TM200	317	100	397	348	260	305	48	355	25	133	173	200	25	460	18	40	725	/	55m6	110	16	59

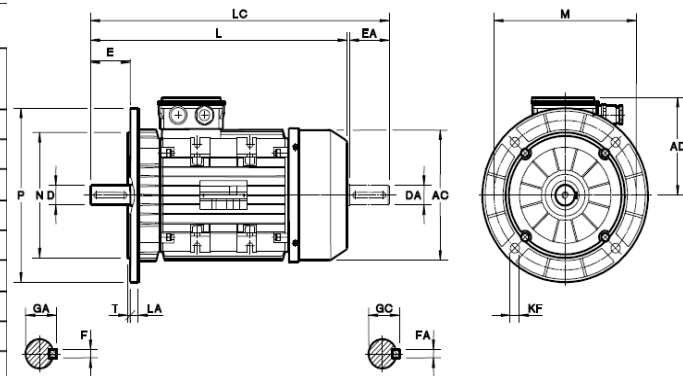


FILET ARBORE SHAFT THREADED	
63	M4
71	M5
80	M6
90S-90L	M8
100S	M10
112T-112M	M10
132T-132TT	M12
160T-160M-160L-180M-180L	M16
200	M20

**MOTOARE ASINCRONE TRIFAZICE DIMENSIUNI : forma B5 (V1-V3)**

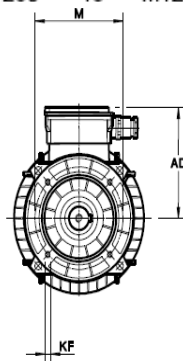
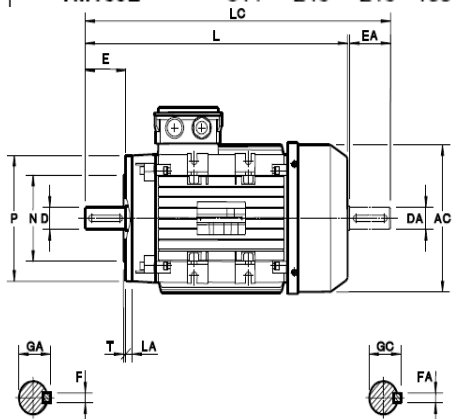
GABARIT SIZE	AC ø	AD	M ø	N ø	P ø	LA	KF	Nr. gauri n° of holes	T	L	LC	D DA ø	E EA	F FA	GA GC
TM63	126	93	115	95 j6	140	8	9.5	4	3	211	236	11 j6	23	4	12.5
TM71	140	102	130	110 j6	160	9	9.5	4	3.5	244	276	14 j6	30	5	16
TM80	159	118	165	130 j6	200	10	11.5	4	3.5	279	322	19 j6	40	6	21.5
TM90S	177	120	165	130 j6	200	10	11.5	4	3.5	306	360	24 j6	50	8	27
TM90L	177	120	165	130 j6	200	10	11.5	4	3.5	330	384	24 j6	50	8	27
TM100S	193	142	215	180 j6	250	12	14	4	4	370	447	28 j6	60	8	31
TM112T	193	142	215	180 j6	250	12	14	4	4	387	452	28 j6	60	8	31
TM112M	205	150	215	180 j6	250	16	14	4	4	382	447	28 j6	60	8	31
TM132T	253	185	265	230 j6	300	16	14	4	4	469	/	38 k6	80	10	41
TM132TT	253	185	265	230 j6	300	16	14	4	4	501	/	38 k6	80	10	41
<sup>1)</sup> TM160T	253	185	300	250 h6	350	15	18	4	5	558	/	42 k6	110	12	45
<sup>1)</sup> TM160M	311	246	300	250 h6	350	15	18	4	5	608	/	42 k6	110	12	45
<sup>1)</sup> TM160L	311	246	300	250 h6	350	15	18	4	5	650	/	42 k6	110	12	45
<sup>1)</sup> TM180M	311	246	300	250 h6	350	15	18	4	5	650	/	48 k6	110	14	51.5
<sup>1)</sup> TM180L	348	260	300	250 h6	350	20	18	4	5	710	/	48 k6	110	14	51.5
<sup>1)</sup> TM200	348	260	350	300h6	400	20	18	4	5	725	/	55m6	110	16	59

FILET ARBORE SHAFT THREADED	
63	M4
71	M5
80	M6
90S-90L	M8
100S	M10
112T-112M	M10
132T-132TT	M12
160T-160M-160L-180M-180L	M16
200	M20



**MOTOARE ASINCRONE TRIFAZICE** DIMENSIUNI : forma constructiva B14 (V18-V19)

GABARIT SIZE	AC ø	AD	M ø	N ø	P ø	LA	KF	Nr. gauri n° of holes	T	L	LC	D DA ø	E EA	F FA	GA GC
<b>TM63</b>	126	93	75	60 j6	90	8	M5	4	2.5	211	236	11 j6	23	4	12.5
<b>TM71</b>	140	102	85	70 j6	105	8	M6	4	2.5	244	276	14 j6	30	5	16
<b>TM80</b>	159	118	100	80 j6	120	8	M6	4	3	279	322	19 j6	40	6	21.5
<b>TM90S</b>	177	120	115	95 j6	140	10	M8	4	3	306	360	24 j6	50	8	27
<b>TM90L</b>	177	120	115	95 j6	140	10	M8	4	3	330	384	24 j6	50	8	27
<b>TM100S</b>	193	142	130	110 j6	160	15	M8	4	3.5	370	447	28 j6	60	8	31
<b>TM112T</b>	193	142	130	110 j6	160	15	M8	4	3.5	387	452	28 j6	60	8	31
<b>TM112M</b>	205	150	130	110 j6	160	15	M8	4	3.5	382	447	28 j6	60	8	31
<b>TM132T</b>	253	185	165	130 j6	200	16	M10	4	4	469	/	38 k6	80	10	41
<b>TM132TT</b>	253	185	165	130 j6	200	16	M10	4	4	501	/	38 k6	80	10	41
<sup>1)</sup> <b>TM160T</b>	253	185	215	180 j6	250	14	M12	4	4	558	/	42 k6	110	12	45
<sup>1)</sup> <b>TM160M</b>	311	246	215	180 j6	250	18	M12	4	4	608	/	42 k6	110	12	45
<sup>1)</sup> <b>TM160L</b>	311	246	215	180 j6	250	18	M12	4	4	650	/	42 k6	110	12	45



FILET ARBORE SHAFT THREADED	
63	M4
71	M5
80	M6
90S-90L	M8
100S	M10
112T-112M	M10
132T-132TT	M12
160T-160M-160L	M16